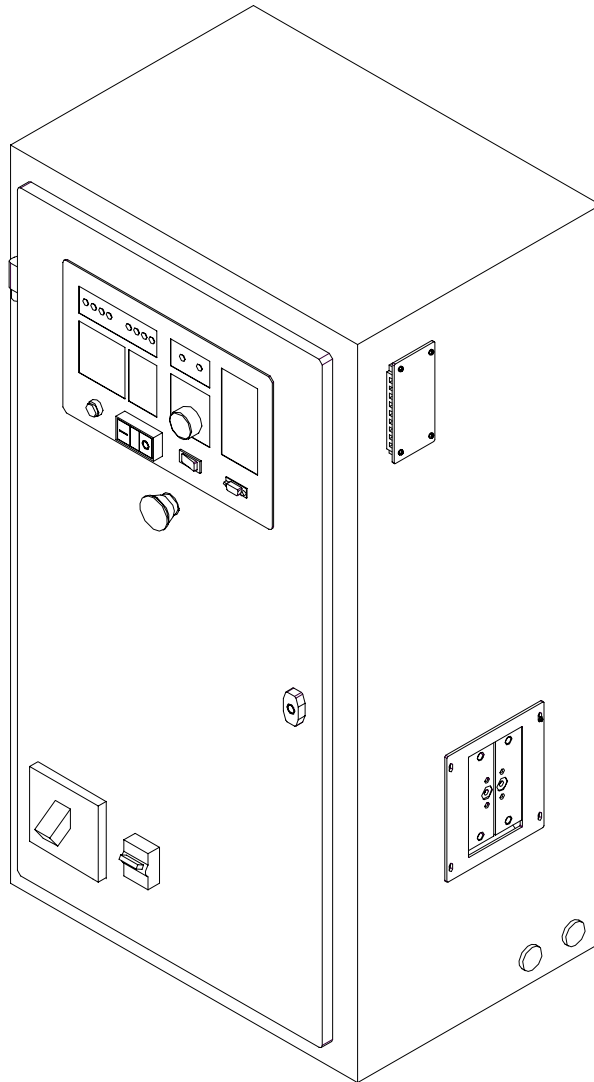
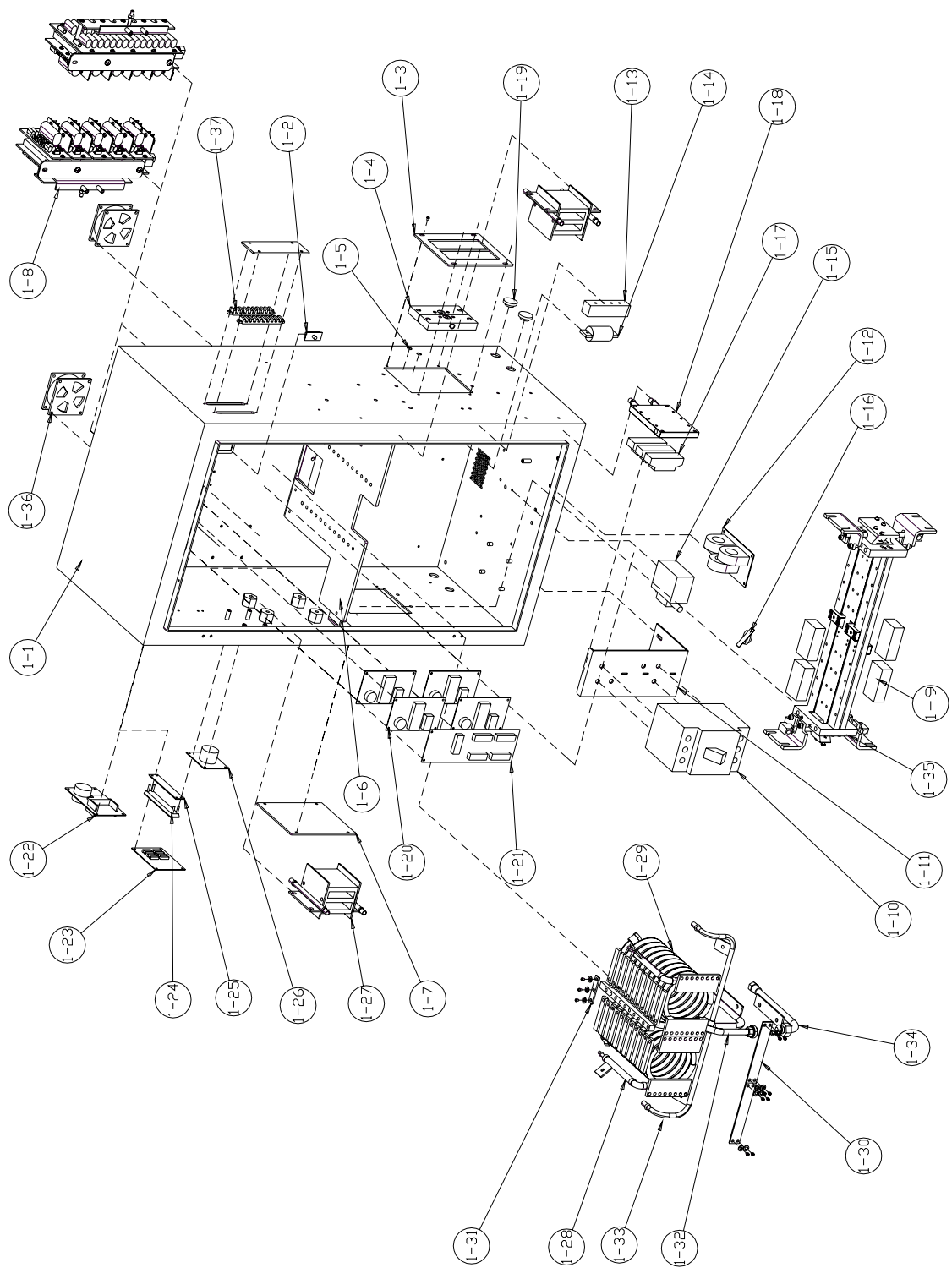


# PPST SS-400 Series Induction Power Supplies

# Spare Parts



Model 25-135/400-3  
Revision 06.09.06

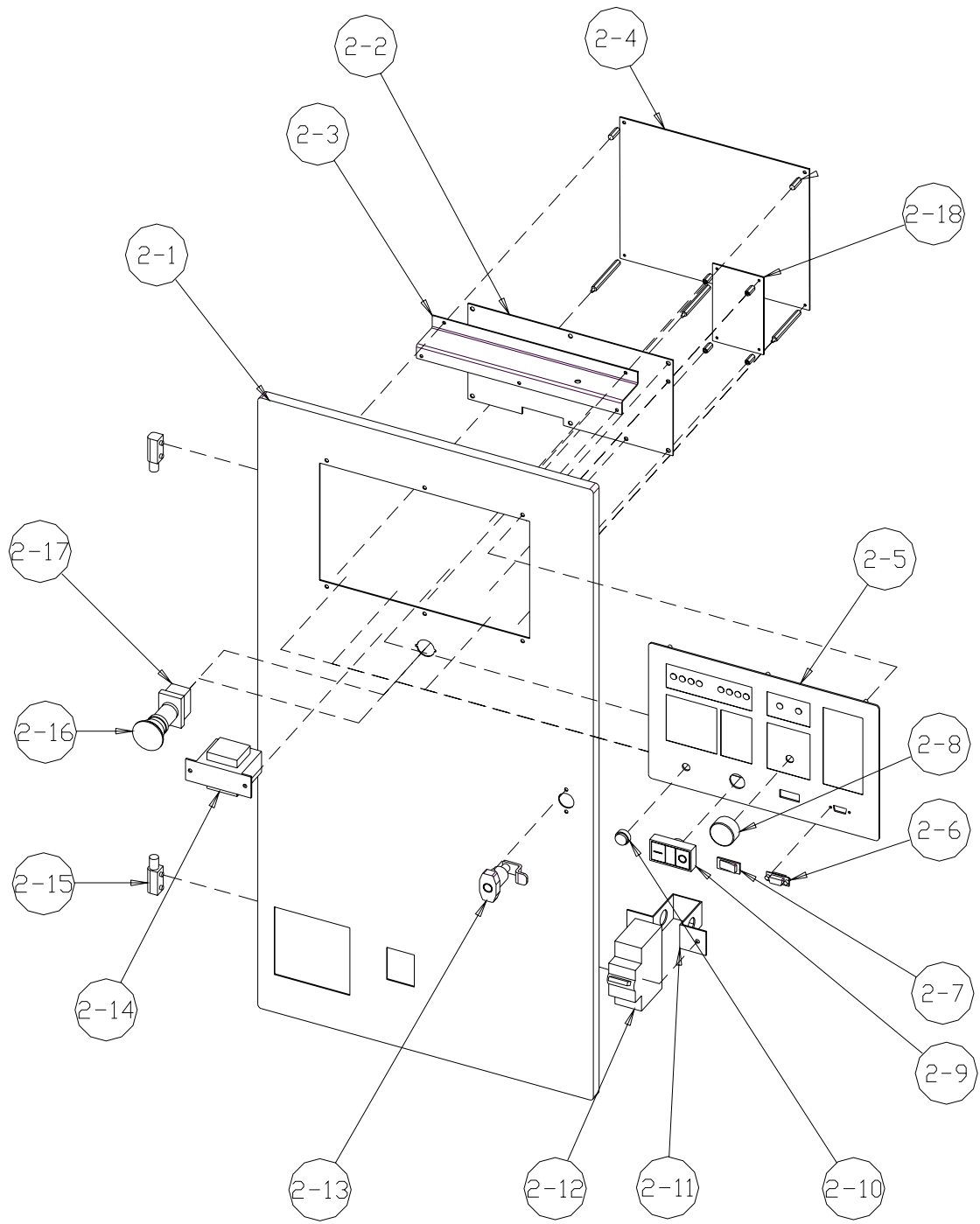


**Figure 1: Cabinet assembly**

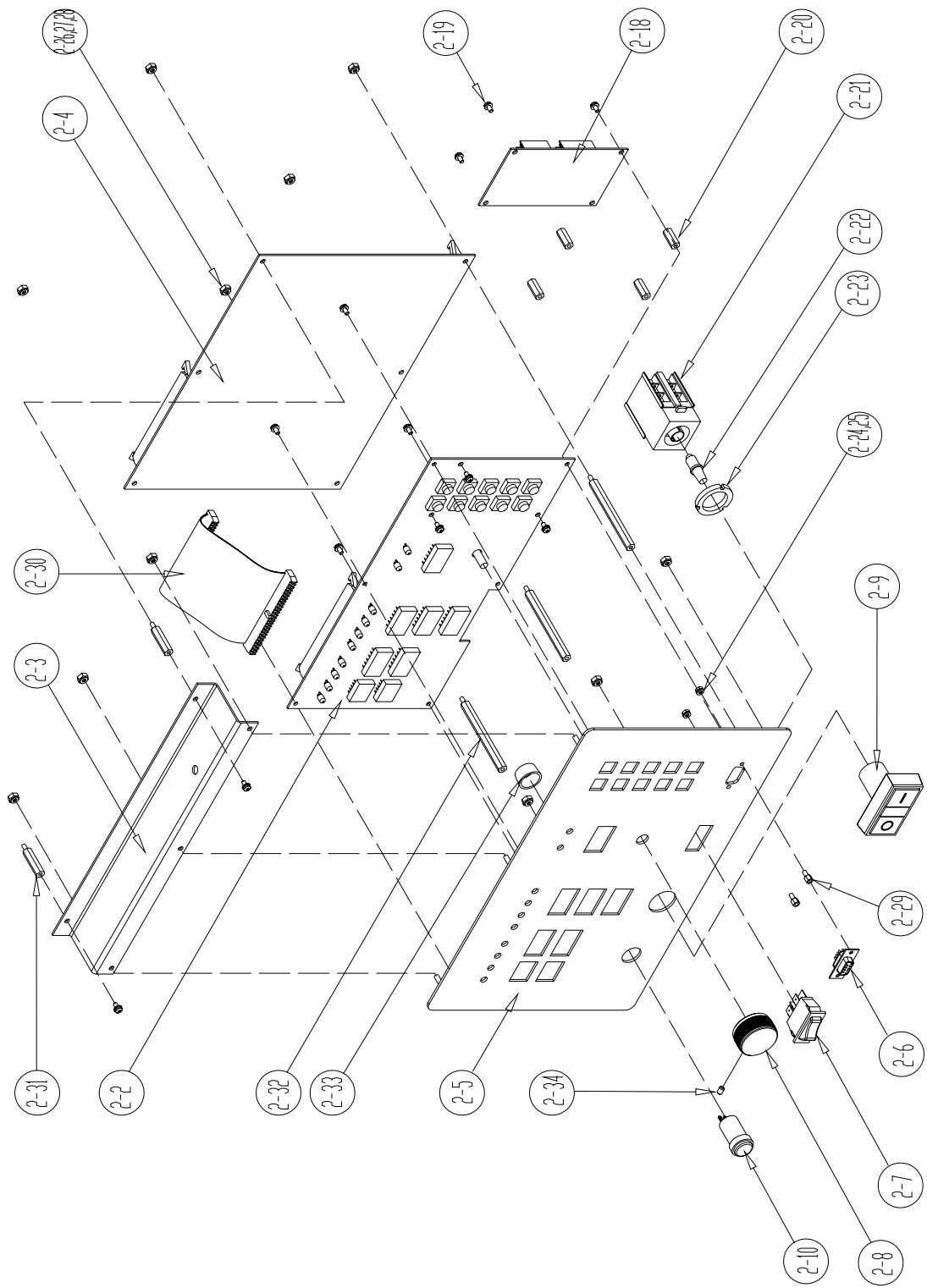
Item No.	Sch. Des.	Qty.	Description	Part Number
1-1		1	CABINET	11170633
1-2		1	SWITCH, door interlock	SWIT0161
1-3		1	COVER, output	11170815
1-4		2	PLAT, OUTPUT, OFFSET	11170819
1-5		2	O-RING, 1/8" thick x 1" O. D	ORIN0000
1-6		1	SUPPORT INDUCTOR	11170914
1-7		1	COVER, output, blank	11170816
1-8		2	INVERTER, 25kVA	11170400
1-9		16	CAPACITOR, 210nF, 500V, film	CAPA0610
1-10		1	CIRCUIT BREAKER, 600V, 100A	CIBR0619
1-11		1	BRACKET, circuit breaker	11170637
1-12		1	PCB ASSY., supply CT	11170585
1-13		1	FUSE HOLDER	FUSE0623
1-14		1	FUSE, 500V, 150A, semiconductor	FUSE0622
1-15		1	SWITCH, DP, 4-43PSI	SWIT0490
1-16		1	SWITCH, temp., 110°F	SWIT0617
1-17		3	DIODE, dual module, 1600V, 60A	DIOD0634
1-18		1	HEAT SINK, rectifier	11170440
1-19		2	CAP, hole, 3/4"	PLUG0001
1-20		4	POWER SUPPLY, switching, 12VDC, 40W	POWS0619
1-21		1	PCB ASSY., buffer	11110575
1-22		1	POWER SUPPLY, switching, tri. output, 40W	POWS0620
1-23		1	PCB ASSY., inverter OR'ing	11170555
1-24		1	TERMINAL BLOCK, 8 pos.	TERM0836
1-25		1	COVER, for terminal block	11170809
1-26		1	PCB ASSY., PT	11170535
1-27		2	TRANSFORMER, matching	11170200
1-28		1	INDUCTOR, left	11170904
1-29		1	INDUCTOR, right	11170901
1-30		2	BAR, shorting	11170905
1-31		1	BUS, Top cross bar	11170903
1-32		1	BAR, tap	11170902
1-33		1	BUS, Transformer	11170841
1-34		1	BUS, Inductor	11170842
1-35		1	CAP. RAIL ASSY	11170800
1-36		2	FAN, 3.14", 230V	FANZ0632
1-37		2	TERMINAL BLOCK 10 pos	

**Table 1: Cabinet assembly**

CHANGED ITEM 1-2 PER DR # 039 12/05/00



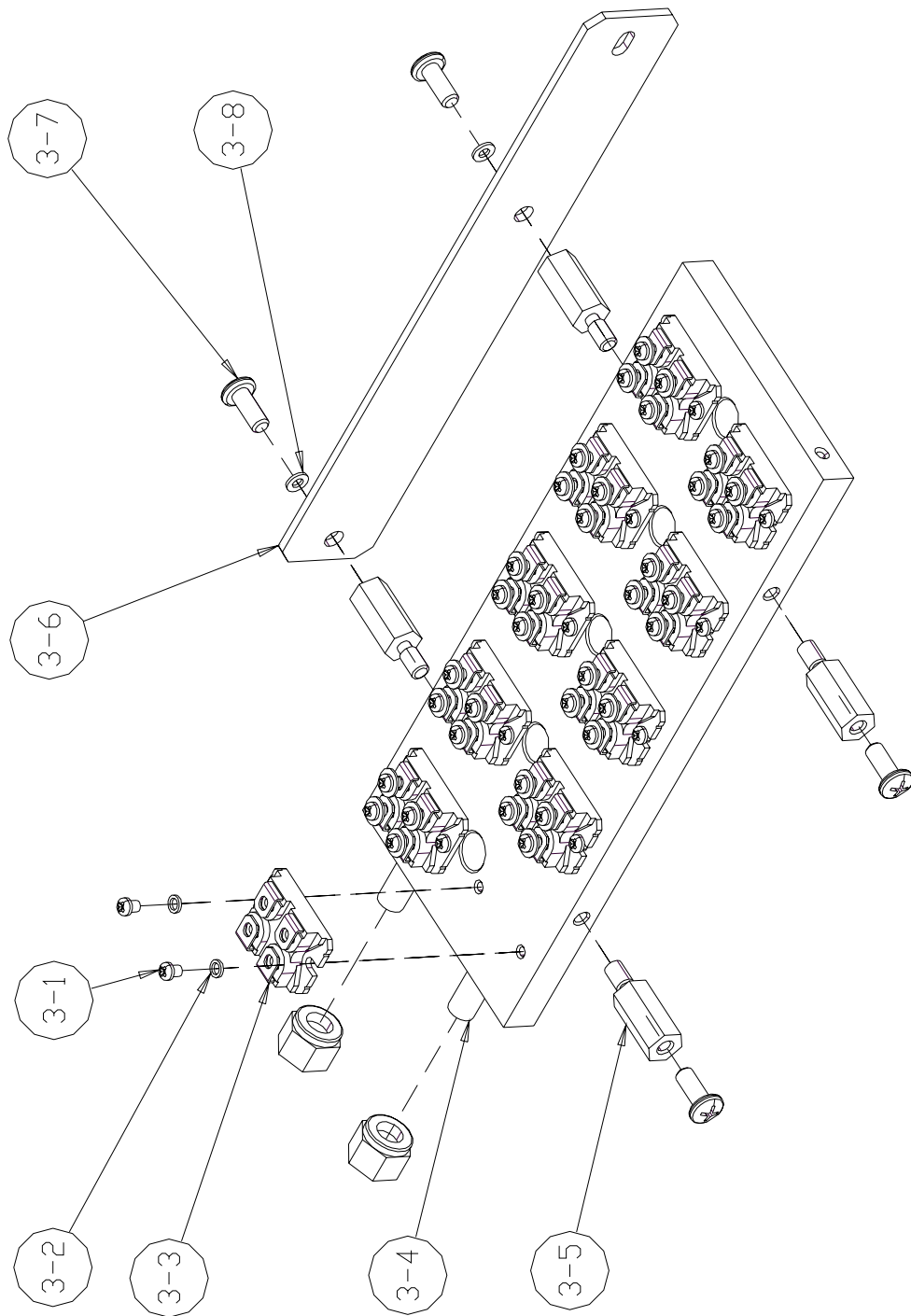
**Figure 2-1: Door assembly**



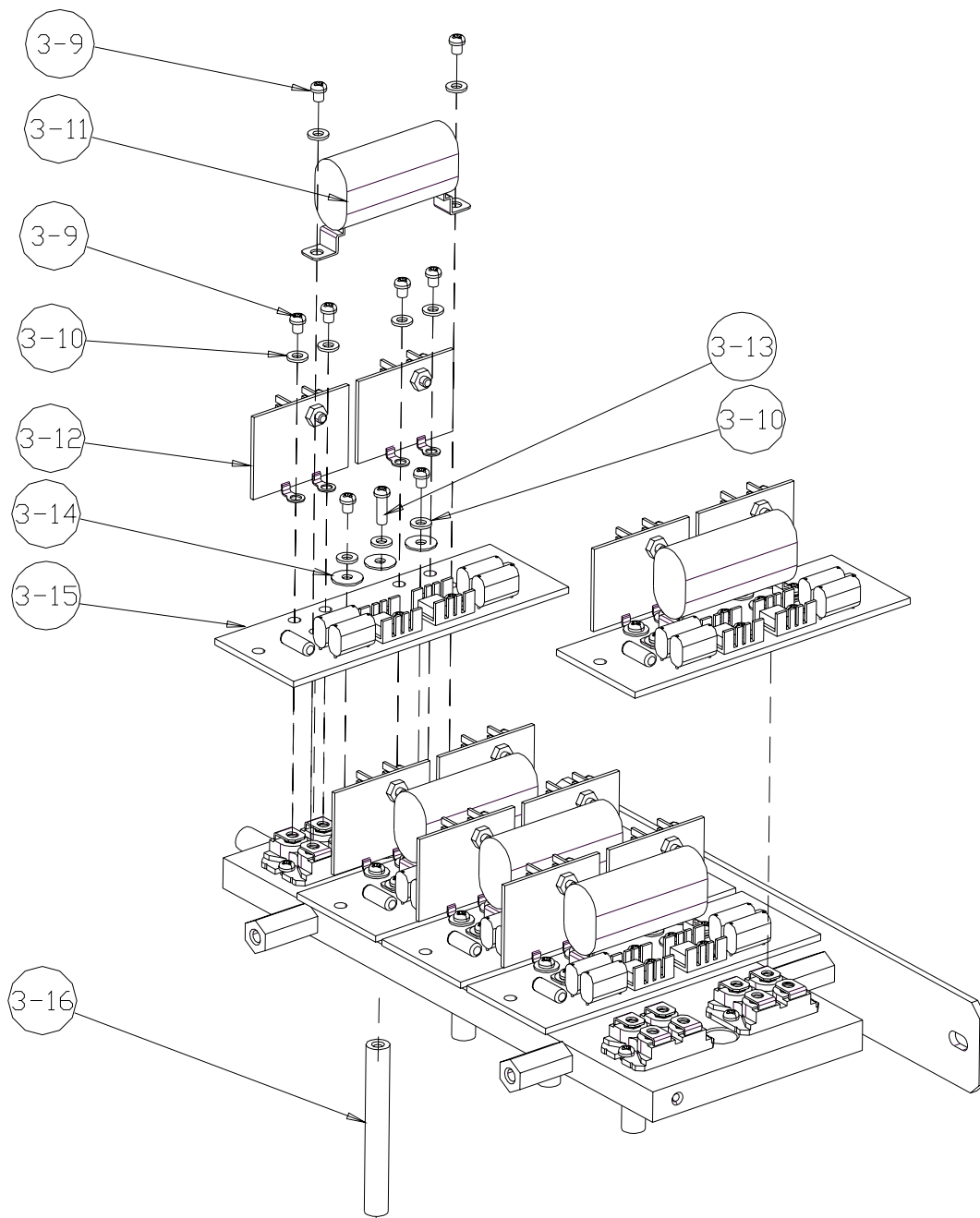
**Figure2-2: : Door assembly**

Item No.	Sch. Des.	Qty.	Description	Part Number
2-1		1	Door	11170634
2-2		1	PCB assy., display	11110545
2-3		1	PCB mounting bracket	11110715
2-4		1	PCB assy., control	11110505
2-5		1	Front panel	11170721
2-6		1	Connector 9pin	CONN0009
2-7		1	Switch, rocker, DPST	SWIT0166
2-8		1	Knob, 1-1/4" dia. x 5/8"	KNOB0310
2-9		1	Button, heating switch	SWIT0300
2-10		1	Switch, reset	SWIT0884
2-11		1	Bracket, circuit breaker	11170922
2-12		1	Circuit breaker, 240V, 6A, 2 pole	CIBR0621
2-13		1	Handle, locking	HAND0002
2-14		1	Transformer, DT-1077	TRAN1077
2-15		2	Hinges	HING0978
2-16		1	Switch, e-stop	SWIT0784
2-17		2	Contacts, NC	SWIT0785
2-18		1	PCB assy., EXT-IO	11110605-A
2-19		12	SCREW, 6-32 x 3/8, PHPH, BR	SCRW7476
2-20		4	S-OFF 1/4HEX 14mm, 6-32, FF,AL	
2-21		1	Housing, heating switch	SWIT0177
2-22		1	Lamp, heating switch	LAMP0001
2-23		1	Mounting Nut, heating switch	NUTS1001
2-24		2	NUT, HEX, M3, BR	
2-25		2	WASHER, LOCK, M3, BR	
2-26		11	NUT, HEX, 6-32, BR	NUTS0249
2-27		29	WASHER, LOCK, #6, BR	
2-28		29	WASHER, FLAT, #6, BR	WASH0436
2-29		2	S-OFF, 5mm HEX 5mm, M3, FM,BR	
2-30		1	WIRE, PLATE 60P ASSY	CABL0125
2-31		2	S-OFF, 1/4HEX 1", 6-32, FM, AL	STAN0722
2-32		3	S-OFF 1/4HEX 71mm, 6-32, FM, AL	
2-33		1	Mounting Nut, reset switch	NUTS0724
2-34		1	SCREW, M4 x 8MM, NHSO, SS	

**Table 2: Door assembly**

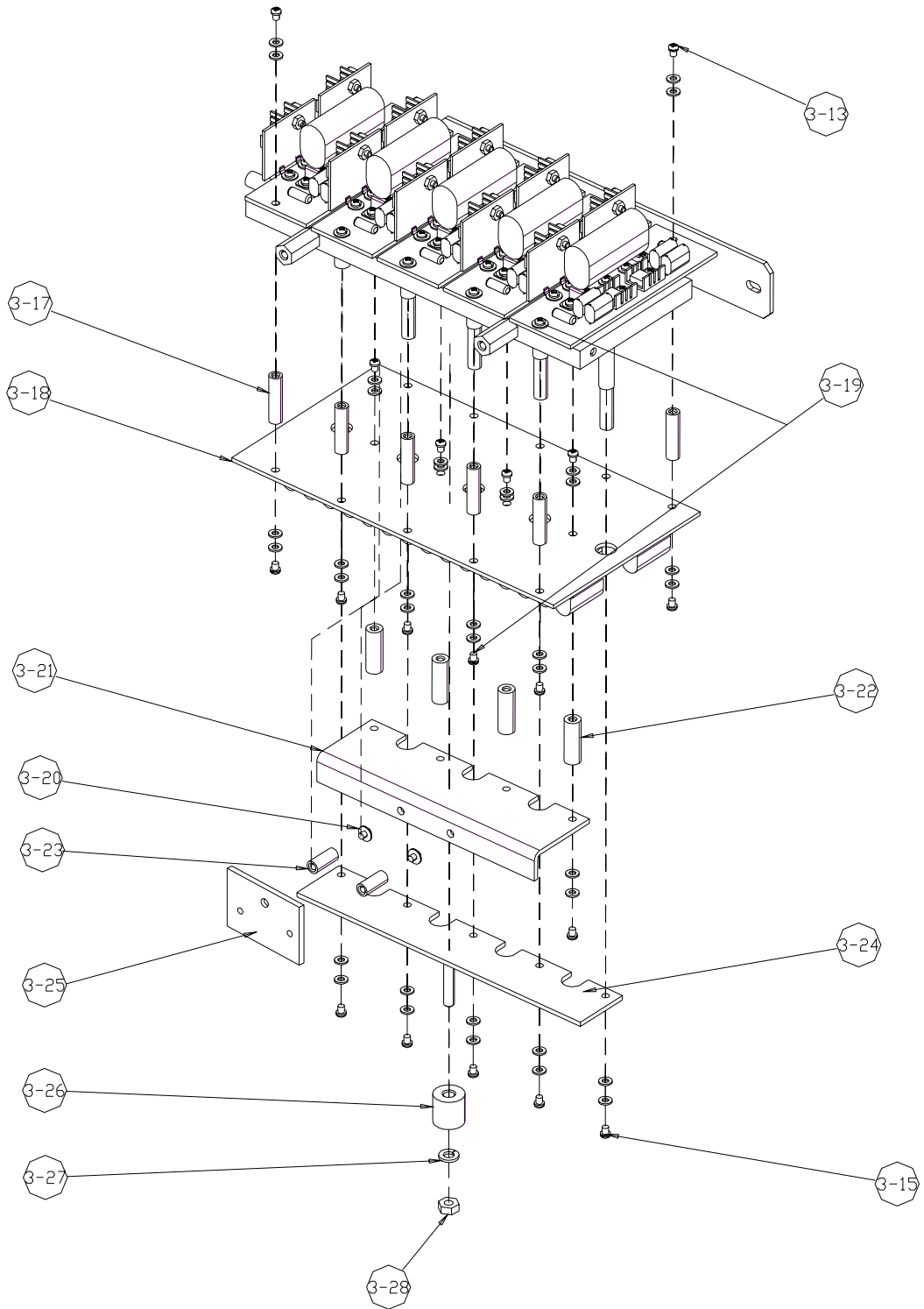


**Figure3-1: Inverter assembly**



**Figure3-2: Inverter assembly**





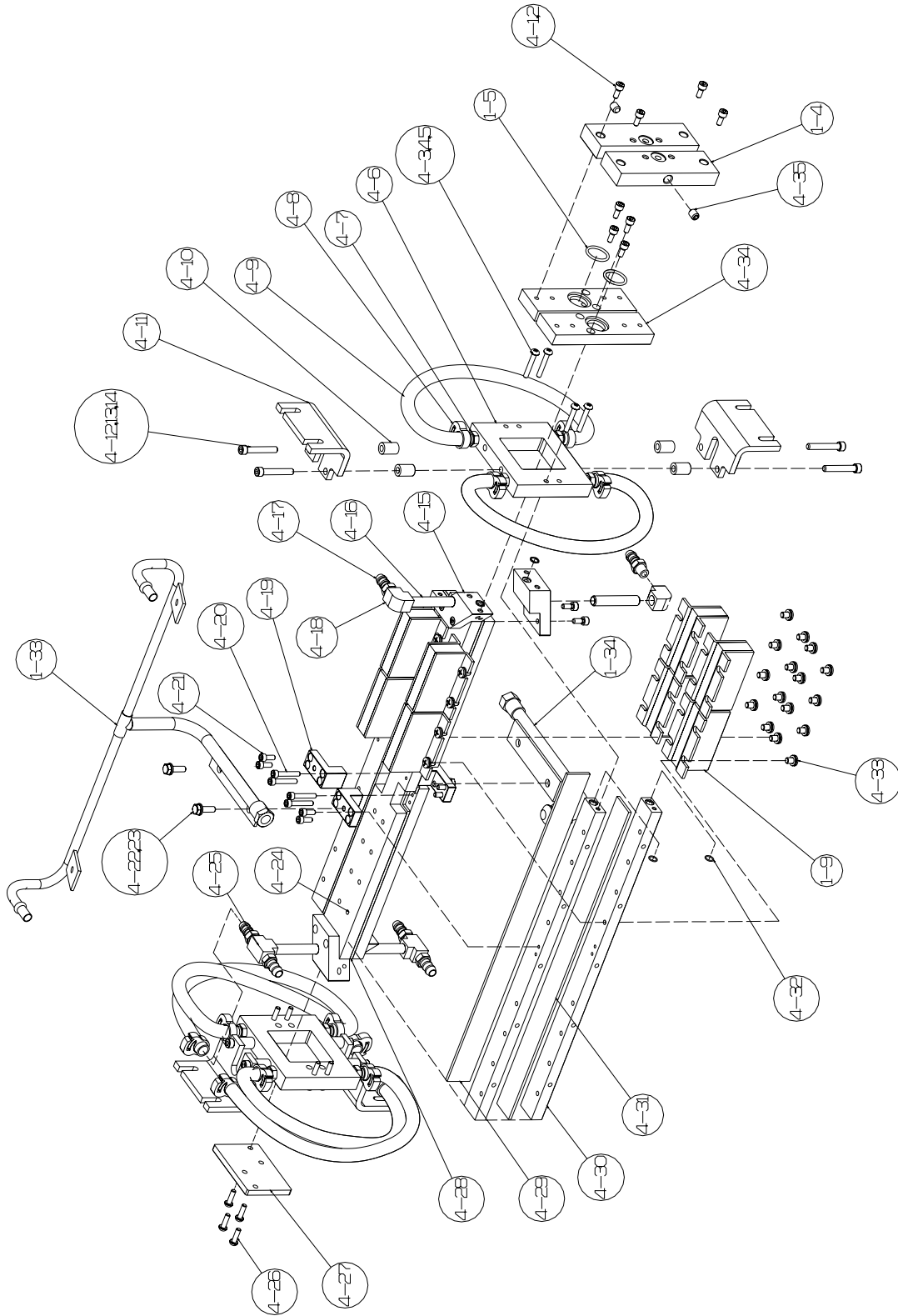
**Figure3-3: Inverter assembly**

### INVERTER ASM 25KW / 12.5KW

ASM	QNTY	PART#	DESCRIPTION
3-1	20	SCRW0089	SCREW, 8-32 X 1/2, PHPH, BR
3-2	20	WASH0429	WASHER, LOCK, #8, BR
3-3		MOSF0270	MOSFET, 600V, 70A IXFN70N60Q2
3-3	10	MOSF0268	MOSFET, 600V, 62A APT60M75JVR
3-4	1	11170425	HEATSINK, INVERTER
3-5	4	STAN0188	STANDOFF, 1/2 H, 1, 1/4-20. MF, AL
3-6	1	11170420	HANDLE, INVERTER
3-7	4	SCRW0011	SCREW, 1/4-20 X 5/8, PHPH, BR
3-8	2	WASH0501	WASHER, LOCK, 1/4, SB
3-9	40	SCRW0102	SCREW, M4 X 8MM, PHPH, BR
3-10	78	WASH0429	WASHER, LOCK, #8, BR
3-11	5	CAPA0024	CAPACITOR, 10UF, 400V, FILM
3-12	10	11171525	PCB, ASM, GATE DRIVE, SMD (surface mount)
3-12	10	11170525	PCB, ASM, GATE DRIVE
3-13	32	SCRW0089	SCREW, 8-32 X 1/2, PHPH, BR
3-14	48	WASH0454	WASHER, FLAT, #8 , BR
3-15	5	11170515	PCB, ASM, SNUBBER
3-16	5	STAN0013	STANDOFF, 5/16 RNDX 2-3/4", 8-32. FF, AL
3-17	10	STAN0198	S-OFF, 5/16 RND X 1 1/4, 8-32, FF, AL
3-18	1	11170705	PCB ASM, DIVIDER CAPACITORS
3-19	6	SCRW0089	SCREW, 8-32 X 1/2, PHPH, BR
3-20	2	SCRW0051	SCREW, 10-32 X 1/2, PHPH, BR
3-21	1	11170409	BUS, DC, INVERTER
3-22	4	STAN0012	S-OFF, 3/8 RND X 1-1/4" , 8-32, FF, AL
3-23	2	STAN0197	S-OFF, 5/16 RND X 3/4, 10-32, FF, AL
3-24	1	11170408	BUS, AC, INVERTER
3-25	1	11170410	PLATE, X'FMR CONNECTION
3-26	1	SPAC0005	SPACER, 3/4"OD, 3/4", UNTHREADE
3-27	1	WASH0501	WASHER, LOCK, 1/4" , BR

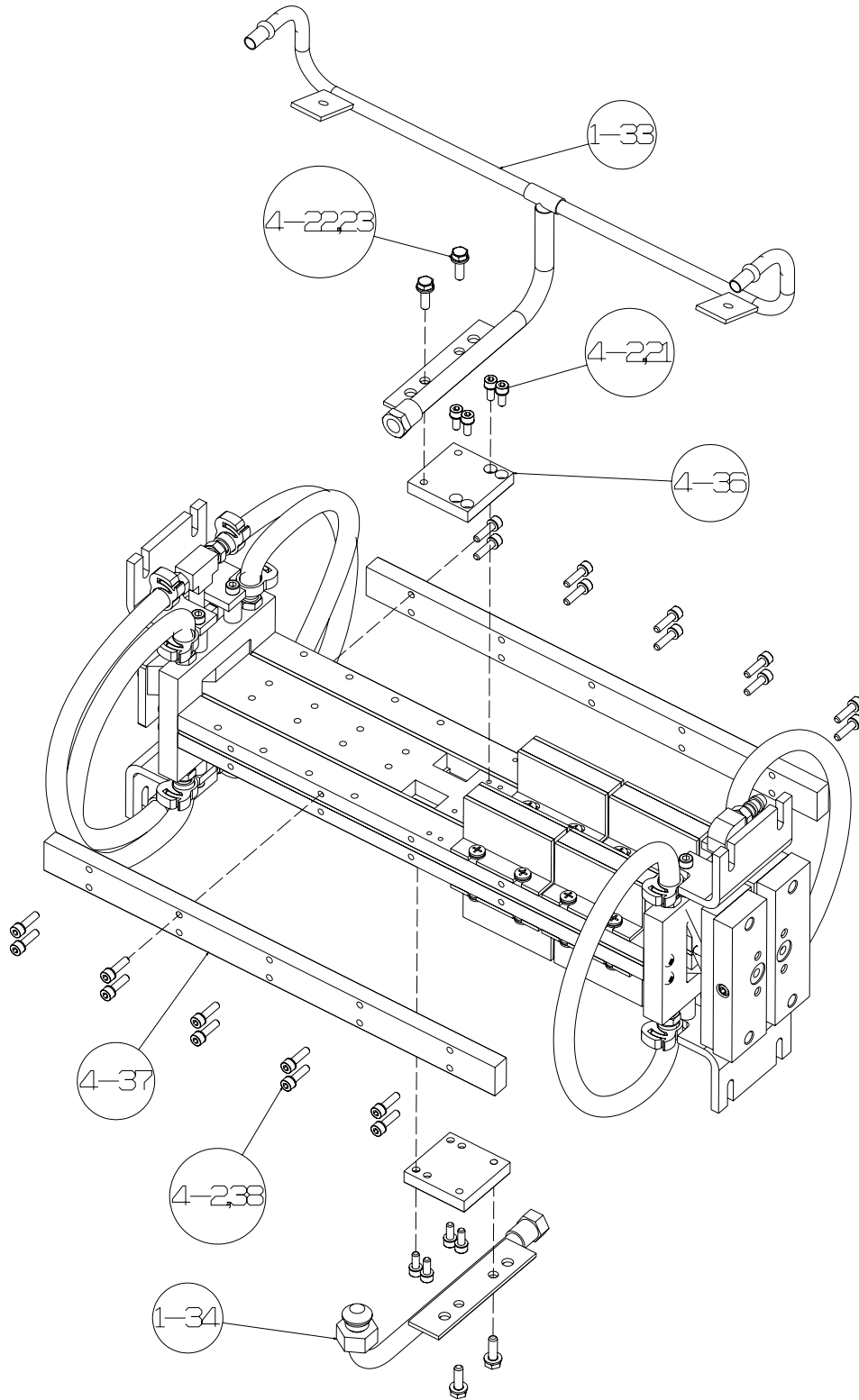
3-28	1	NUTS0251	NUT, HEX, 1/4-20, BR
------	---	----------	----------------------

**Table 3: Inverter assembly**



**Figure4-1: Cap. Rail assembly**

## **Capacitor Series Connection**



**Figure4-2: Cap. Rail assembly**

ASM	QNTY	PART#	DESCRIPTION
1-4	2	11170819	PLAT, OUTPUT, OFFSET
1-5	2	ORIN0002	O-RING, 1/8"X1"X3/4"
1-9	16	CAPA0610	CAPACITOR, 210NF, 500A
1-33	1	11170841	BUS, X'FMR
1-34	1	11170842	BUS, INDUCTOR
4-1	16	SCRW0016	SCREW, 10-32X3/4", SHSO, SS
4-2	32	WASH0456	WASHER, LOCK, #10, SB
4-3	8		SCREW, 10-32X1-1/4, PHPH, BR
4-4	12		WASHER, LOCK, #10, BR
4-5	12	WASH0434	WASHER, FLAT, #10, BR
4-6	2	11170833	MANIFOLD, CONNEDTION, ULTEM
4-7	8	FITT0022	FITTING, 3/8" TUBEID, 1/8"NPT NYLO
4-8	12	CLAM0391	CALMP, HOSE 1/2" TO 5/8" DIAMETER
4-9	15	HOSE0327	HOSE, 3/8"ID
4-10	8	SPAC0001	SPACER, TEFLON, 1/20D, .257ID
4-11	4	11170837	SUPPORT, CAP, RAILASSY.
4-12	8	SCRW0029	SCREW, 1/4-20X1-1/2", SHSO, SS
4-13	8	WASH0426	WASHER, LOCK, 1/4, SS
4-14	8	WASH0492	WASHER, FLAT, 1/4", SS
4-15	4	11170835	MANIFOLD, OFFSET, END, BLOCK
4-16	4	FITT0005	FITTING, 1/8NPT NIPPLE
4-17	6	FITT0004	FITTING, 1/8NPTX3/8 BARB
4-18	2	FITT0006	FITTING, 1/8FPT ELBOW
4-19	4	11170836	CONNECTOR, CAP RAIL
4-20	8		SCREW, 10-32X1-1/8", SHSOSS
4-21	8		SCREW, 10-32X1/2", SHSO, SS
4-22	4		SCREW, 1/4-20X1/2", HH, BR
4-23	68	WASH0501	WASHER, LOCK, 1/4", SB
4-24	2	11170831	BUS, CAP RAIL, CENTER
4-25	2	FITT0019	FITTING, 1/8FPT TEE
4-26	4	SCRW0013	SCREW, 10-32X5/8", PHPH, BR
4-27	1	11170840	PLATE, BLANKING
4-28	1	11170838	INSULATOR, STRIP, CENTER
4-29	2	11170839	INSULATOR, STRIP, SIDES_1
4-30	4	11170832	CUS, CAP RAIL, SIDE
4-31	2	11170839	INSULATOR, STRIP, SIDES_2
4-32	16	ORIN9452	O-RING, 1/16X1/4X3/8
4-33	64	SCRW0554	SCREW, 1/4-20X1/2", PHPH, BR
4-34	2	11170834	BUS, END, BLOCK
4-35	2		SCREW, 1/8NPT X 3/8" NHSO, SS
4-36	2	11170303	SERIES CONNECTOR CAP. RAIL
4-37	2	11170302	JUMPER CAP. RAIL
4-38	20		SCREW, 10-32X7/8", SHSO, SS

**Table 4: Cap. rail assembly**